

VALVE

VALVOLA VITE
SCREW VALVE
SCHRAUBVENTIL
VALVE VISSE

Caratteristiche tecniche

- Intercambiabilità: con i principali produttori
- Occlusione: faccia piana
- Aggancio: a vite
- Materiale: acciaio
- Finitura: Zn-Fe (Cr III)
- Filettature: BSP - SAE - METRICHE
- Guarnizioni standard: NBR
- Temperatura d'esercizio: -25 °C +100 °C
- Pressioni di esercizio: 200 bar
- Connessione in pressione: consentita (lato maschio o lato femmina)

Nominal size				Max working pressure	Rated flow	Max flow rate	Min burst pressure			Fluid spillage
							Male	Female	Coupled	
DNP	BG	ISO	mm	MPa	l/min	l/min	MPa	MPa	MPa	cc
13	3	12.5	8	20	24	48	100	60	130	0,1

1 MPa = 145,04 psi • 1 l = 0,264 gal

Technical data

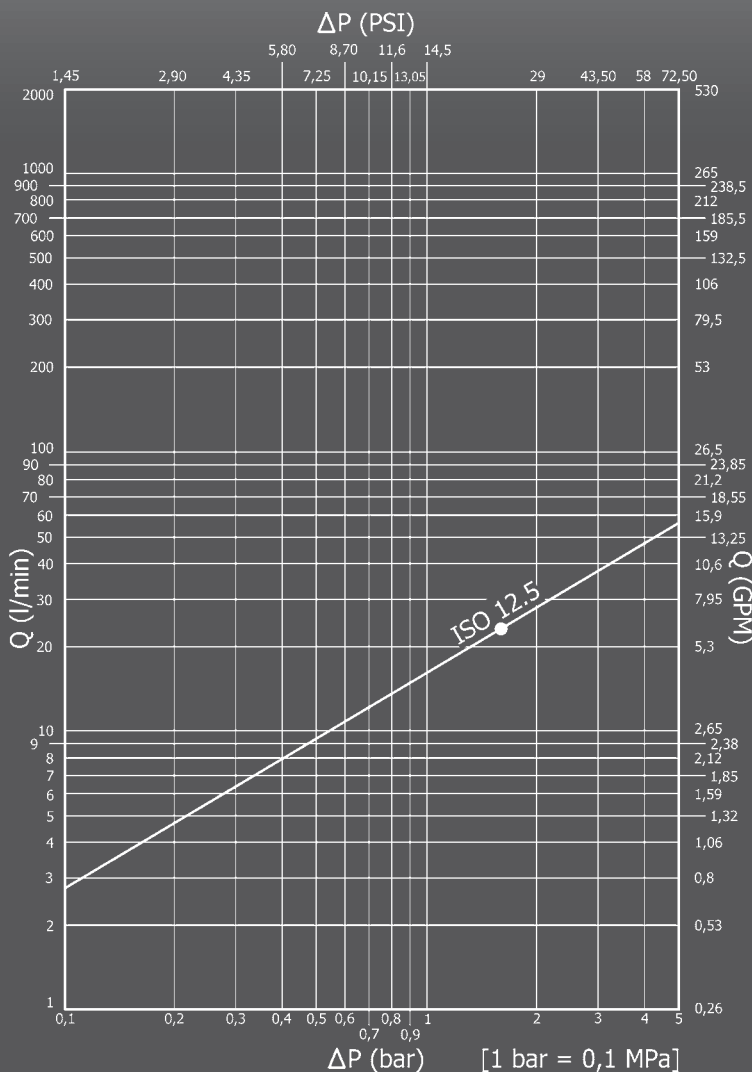
- Interchange: with the main producers
- Occlusion: flat face
- Locking: screw
- Material: steel
- Finishing: Zn-Fe (Cr III)
- Threads: BSP - SAE - METRICS
- Standard seals: NBR
- Working temperature: -25 °C +100 °C
- Working pressure: 200 bar
- Connection under pressure: allowed (both male or female side)

Technische Merkmale

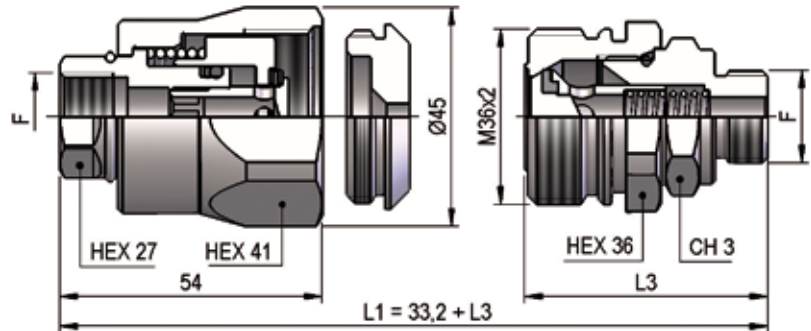
- Austauschbarkeit: mit den wichtigsten Lieferanten
- Verschluss: flachdichtend
- Kupplung: Schraubweise
- Werkstoff: Stahl
- Ausführung: Zn-Fe (Cr III)
- Gewinde: BSP - SAE - METRISCHE
- Standard-Dichtungen: NBR
- Betriebstemperatur: -25 °C +100 °C
- Betriebsdruck: 200 bar
- Kuppeln unter Druck: erlaubt (Steckerseite oder Muffenseite)

Caracteristiques techniques

- Intercambiabilité: avec les principaux producteurs
- Obturation: clapet plat
- Accrochage: a vissé
- Matériel: acier
- Traitement: Zn-Fe (Cr III)
- Taraudage: BSP - SAE - METRIQUES
- Joints standard: NBR
- Température de service: -25 °C +100 °C
- Pression de service: 200 bar
- Connexion sous pression: possible (côté male ou femelle)

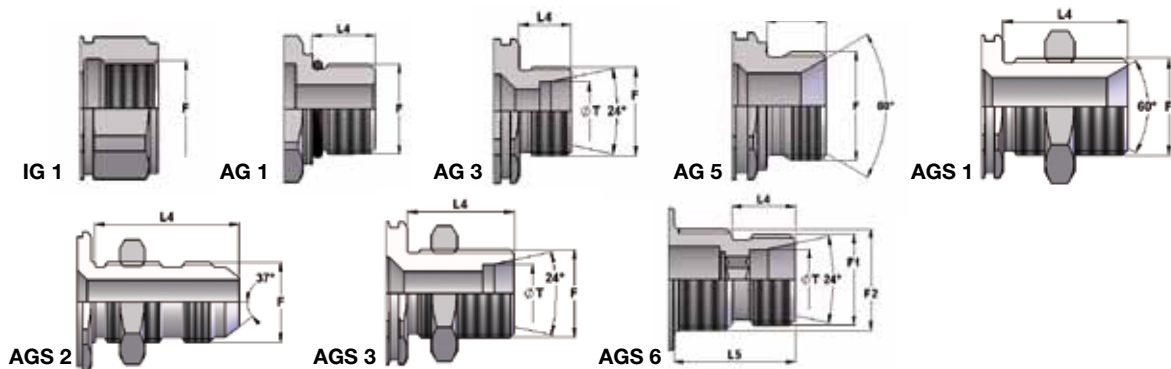


VVT DN13 - BG 3 - ISO 12.5



THREADS	CH3	L3	L4	L5	ØT	F1	F2	F	STANDARD	FEMMINA - FEMALE - MUFFE - FEMELLE			MASCHIO - MALE - STECKER - MALE		
										COD. F	Weight (g)	Pack. (pcs.)	COD. M	Weight (g)	Pack. (pcs.)
IG 1								BSP 3/8"	DIN 3852-2-X	WT1.1310.002	394	36			
	28	57						BSP 1/2"	DIN 3852-2-X				VWT3.1313.113	255	50
								M18x1,5	ISO 6149-1	WT1.1318.102	387	36			
AG 5		48	15,5					BSP 1/2"	DIN 3852-2-A				VWT3.1313.213	197	50
AGS 3		49	21		12L			M18x1,5	ISO 8434-1-L				VWT3.1318.503	174	50
		58	30		12L			M18x1,5	ISO 8434-1-L				VWT3.1318.523	206	50
		51	23		Ø13,4			M20x1,5	-				VWT3.1320.503	183	50
		41	23		15L			M22x1,5	ISO 8434-1-L				VWT3.1322.503	193	50
		32	82	28		15L		M22x1,5	ISO 8434-1-L				VWT3.1322.623	378	50
		63	35		15L			M22x1,5	ISO 8434-1-L				VWT3.1322.603	220	50
AGS 6		52,5	12,5	24,5	10	M16x1,5	M20x1,5	-	-				VWT3.1336.503	181	50
		52	12,5	24	12	M18x1,5	M20x1,5	-	-				VWT3.1338.503	181	50
AG 1	28	50	11					3/4"-16 UNF	SAE J 1926-2				VWT3.1319.223	218	50
AG 3		32	55	12		12L		M18x1,5	ISO 8434-1-L				VWT3.1318.303	331	50
		32	65	12		15L		M22x1,5	ISO 8434-1-L				VWT3.1322.303	337	50
AGS 1		65	37					M22x1,5	DIN 3863-U				VWT3.1322.613	226	50
AGS 2		28	89,5	16,7				3/4"-16 UNF	SAE J 514				VWT3.1319.503	340	50
		32	94	40				7/8"-14 UNF	SAE J 514				VWT3.1378.603	409	50

THREADS



PLASTIC - METAL CAPS

NOMINAL SIZE			FEMALE DUST PLUG	MALE DUST CAP		Dimensions			Weight	COLOUR	MATERIAL
DNP	BG	ISO	COD. F	Weight (g)	COD. M	D	L	D1	Weight (g)		
13	3	12.5	WT.013.993*	70	-	-	-	-	-	-	Steel
13	3	12.5	-	-	SWT.13013	44	135	29,5	10	●	Polyethylene

*NORMALMENTE FORNITO CON LA FEMMINA - SUPPLIED STANDARD WITH THE FEMALE - WIRD MIT DER MUFFE GELIEFERT - FOURNI EN STANDARD AVEC COUPLEUR

