

STANDARD

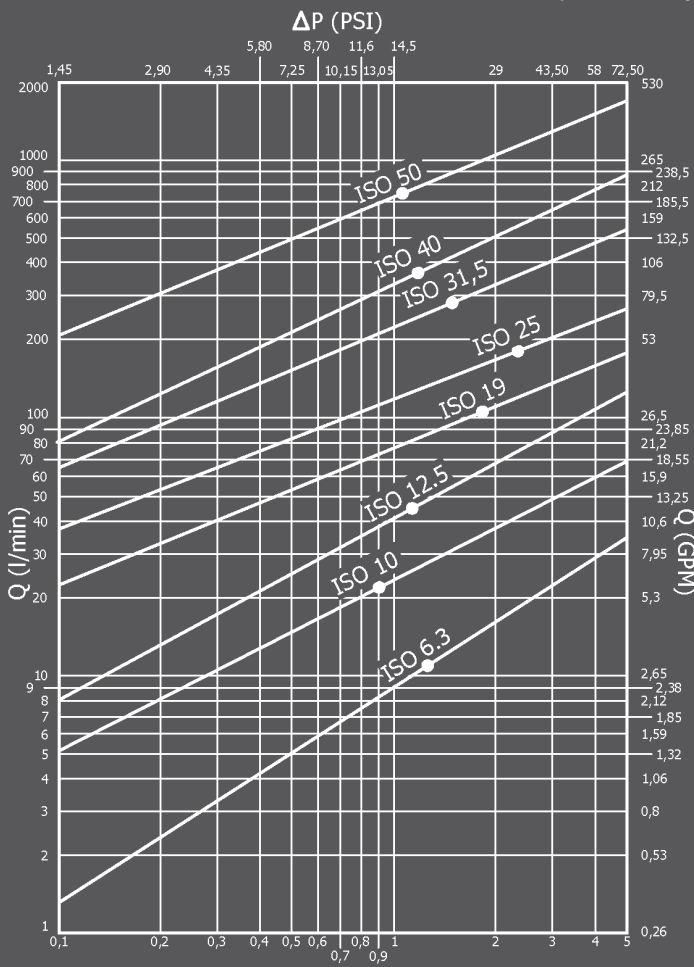
VALVOLA
POPPET
VENTIL
CLAPET

Caratteristiche tecniche

- Intercambiabilità: con i principali produttori
- Occlusione: valvola
- Aggancio: sfere radiali
- Materiale: acciaio
- Finitura: Zn-Fe (Cr III)
- Filettature: BSP - NPT
- Guarnizioni standard: NBR
- Temperatura d'esercizio: -25 °C +100 °C
- Guarnizioni opzionali: FKM, EPDM o altro
- Pressioni di esercizio: 100-400 bar
- Connessione in pressione: non consentita

Nominal size				Max working pressure MPa	Rated flow l/min	Max flow rate l/min	Min burst pressure			Fluid spillage cc
DNP	BG	ISO	mm				Male	Female	Coupled	
06	1	6.3	6,5	40	12	24	160	170	170	1
10	2	10	8,5	35	23	46	150	170	150	2,4
13	3	12.5	10,5	25	45	90	100	140	120	2,7
20	4	19	15,7	25	106	190	100	120	110	8,6
25	5	25	16,6	25	189	250	120	110	100	13
30	6	31.5	22,8	22	288	480	100	90	100	30
39	7	40	29,9	20	379	700	96	80	80	52
50	8	50	46,5	10	757	1000	40	40	40	90

1 MPa = 145,04 psi • 1 l = 0,264 gal



Technical data

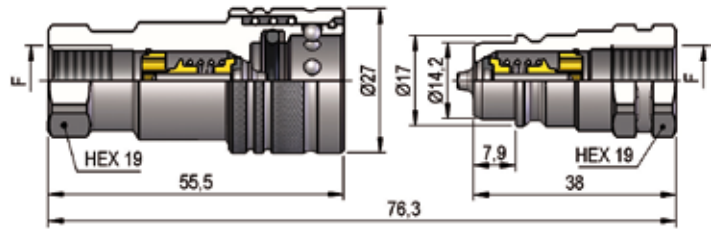
- Interchange: with the main producers
- Occlusion: poppet
- Locking: radial balls
- Material: steel
- Finishing: Zn-Fe (Cr III)
- Threads: BSP - NPT
- Standard seals: NBR
- Working temperature: -25 °C +100 °C
- Optional seals: FKM, EPDM or more
- Working pressure: 100-400 bar
- Connection under pressure: not allowed

Technische Merkmale

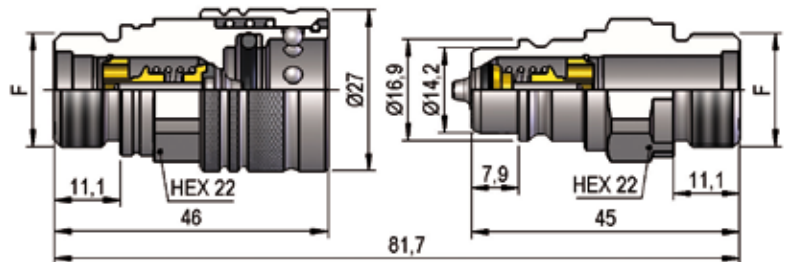
- Austauschbarkeit: mit den wichtigsten Lieferanten
- Verschluss: ventil
- Kupplung: Radialkugeln
- Werkstoff: Stahl
- Ausführung: Zn-Fe (Cr III)
- Gewinde: BSP - NPT
- Standard-Dichtungen: NBR
- Betriebstemperatur: -25 °C +100 °C
- Dichtungen nach Wahl: FKM, EPDM, usw.
- Betriebsdruck: 100-400 bar
- Kuppeln unter Druck: nicht möglich

Caracteristiques techniques

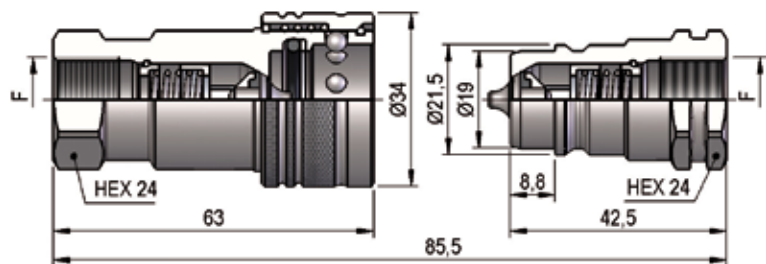
- Intercambiabilità: avec les principaux producteurs
- Obturation: clapet
- Accrochage: billes radiales
- Matériel: acier
- Traitement: Zn-Fe (Cr III)
- Taraudage: BSP - NPT
- Joints standard: NBR
- Température de service: -25 °C +100 °C
- Joints facultatifs: FKM, EPDM, ect.
- Pression de service: 100-400 bar
- Connexion sous pression: pas possible

PDV1 DN06 - BG 1 - ISO 6.3


F	STANDARD	FEMMINA - FEMALE - MUFFE - FEMELLE			MASCHIO - MALE - STECKER - MALE		
		COD. F	Weight (g)	Packaging (pcs.)	COD. M	Weight (g)	Packaging (pcs.)
BSP 1/4"	DIN 3852-2-X	PDV1.0606.002	118	100	PDV1.0606.003	46	300
NPT 1/4"	ANSI B1.20.3	PDV1.0606.012	119	100	PDV1.0606.013	47	300

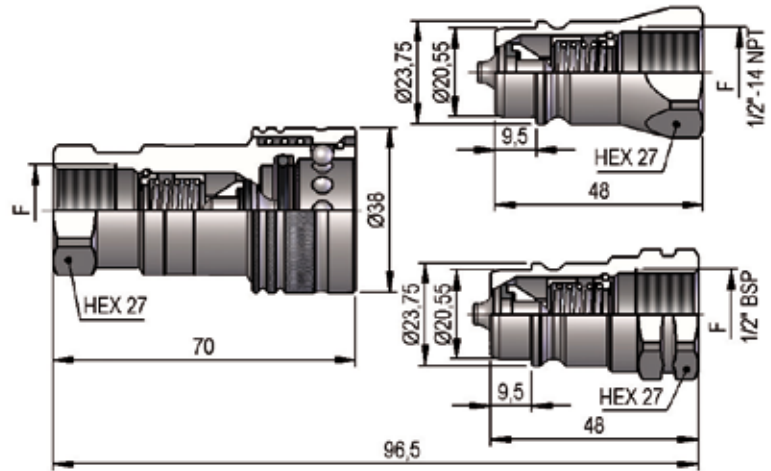


F	STANDARD	FEMMINA - FEMALE - MUFFE - FEMELLE			MASCHIO - MALE - STECKER - MALE		
		COD. F	Weight (g)	Packaging (pcs.)	COD. M	Weight (g)	Packaging (pcs.)
3/4"-16 UNF-2A	SAE J1926-3	PDV1.0619.302	100	100	PDV1.0619.303	65	300

PDV1 DN10 - BG 2 - ISO 10


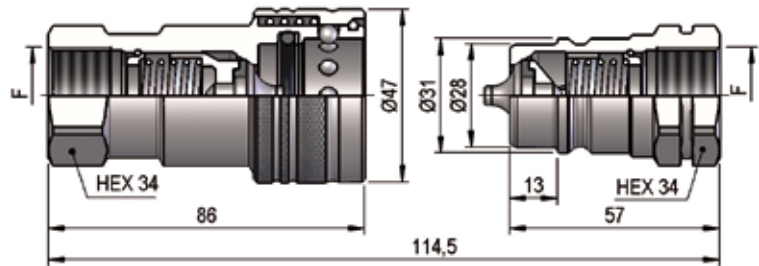
F	STANDARD	FEMMINA - FEMALE - MUFFE - FEMELLE			MASCHIO - MALE - STECKER - MALE		
		COD. F	Weight (g)	Packaging (pcs.)	COD. M	Weight (g)	Packaging (pcs.)
BSP 3/8"	DIN 3852-2-X	PDV1.1010.002	200	56	PDV1.1010.003	80	200
NPT 3/8"	ANSI B1.20.3	PDV1.1010.012	201	56	PDV1.1010.013	81	200

PDV1 DN13 - BG 3 - ISO



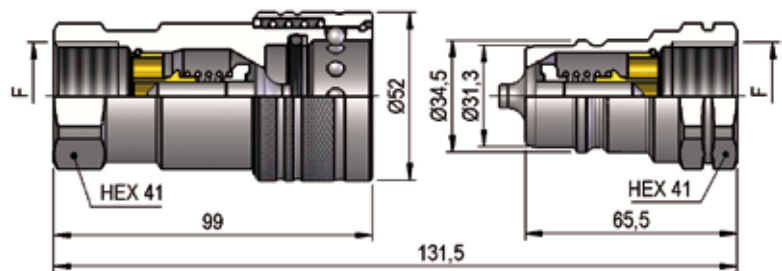
F	STANDARD	FEMMINA - FEMALE - MUFFE - FEMELLE			MASCHIO - MALE - STECKER - MALE		
		COD. F	Weight (g)	Packaging (pcs.)	COD. M	Weight (g)	Packaging (pcs.)
BSP 1/2"	DIN 3852-2-X	PAV1.1313.002	268	50	PAV1.1313.003	97	200
NPT 1/2"	ANSI B1.20.3	PAV1.1313.012	269	50	PAV1.1313.013	98	200

PDV1 DN20 - BG 4 - ISO 19

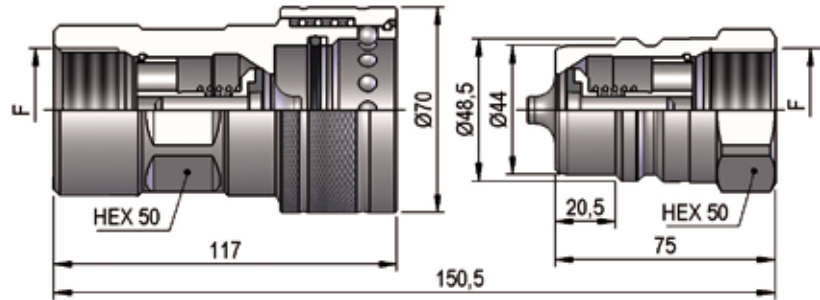


F	STANDARD	FEMMINA - FEMALE - MUFFE - FEMELLE			MASCHIO - MALE - STECKER - MALE		
		COD. F	Weight (g)	Packaging (pcs.)	COD. M	Weight (g)	Packaging (pcs.)
BSP 3/4"	DIN 3852-2-X	PDV1.2019.002	473	28	PDV1.2019.003	183	45
NPT 3/4"	ANSI B1.20.3	PDV1.2019.012	478	28	PDV1.2019.013	188	45

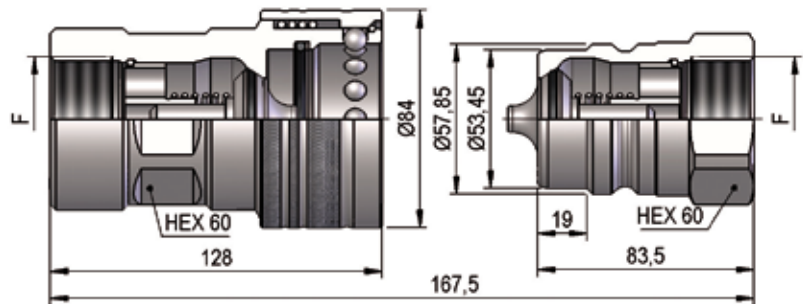
PDV1 DN25 - BG 5 - ISO 25



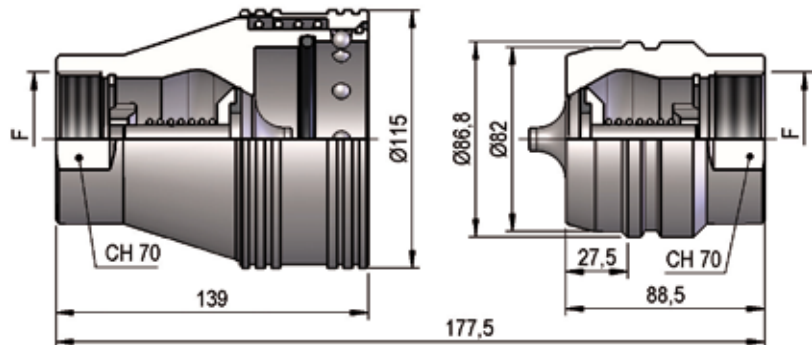
F	STANDARD	FEMMINA - FEMALE - MUFFE - FEMELLE			MASCHIO - MALE - STECKER - MALE		
		COD. F	Weight (g)	Packaging (pcs.)	COD. M	Weight (g)	Packaging (pcs.)
BSP 1"	DIN 3852-2-X	PDV1.2525.002	736	20	PDV1.2525.003	282	30
NPT 1"	ANSI B1.20.3	PDV1.2525.012	743	20	PDV1.2525.013	289	30

PDV1 DN30 - BG 6 - ISO 31.5


F	STANDARD	FEMMINA - FEMALE - MUFFE - FEMELLE			MASCHIO - MALE - STECKER - MALE		
		COD. F	Weight (g)	Packaging (pcs.)	COD. M	Weight (g)	Packaging (pcs.)
BSP 1"¼	DIN 3852-2-X	PDV1.3031.002	1520	12	PDV1.3031.003	556	20
NPT 1"¼	ANSI B1.20.3	PDV1.3031.012	1537	12	PDV1.3031.013	573	20
RC 1"¼	UNI ISO 7/1	PDV1.3031.042	1537	12	PDV1.3031.043	573	20

PDV1 DN39 - BG 7 - ISO 40


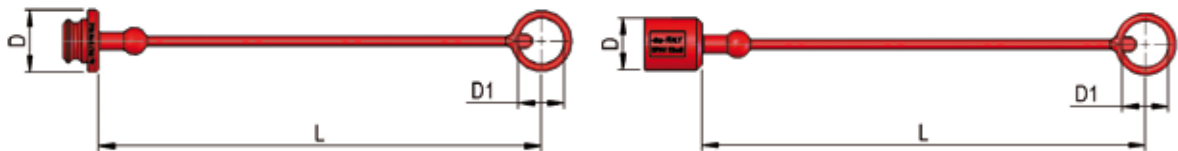
F	STANDARD	FEMMINA - FEMALE - MUFFE - FEMELLE			MASCHIO - MALE - STECKER - MALE		
		COD. F	Weight (g)	Packaging (pcs.)	COD. M	Weight (g)	Packaging (pcs.)
BSP 1"½	DIN 3852-2-X	PDV1.3939.002	2472	8	PDV1.3939.003	936	12
NPT 1"½	ANSI B1.20.3	PDV1.3939.012	2491	8	PDV1.3939.013	955	12
RC 1"½	UNI ISO 7/1	PDV1.3939.042	2491	8	PDV1.3939.043	955	12

PDV1 DN50 - BG 8 - ISO 50


F	STANDARD	FEMMINA - FEMALE - MUFFE - FEMELLE			MASCHIO - MALE - STECKER - MALE		
		COD. F	Weight (g)	Packaging (pcs.)	COD. M	Weight (g)	Packaging (pcs.)
BSP 2"	DIN 3852-2-X	PDV1.5051.002	4010	5	PDV1.5051.003	1892	8
NPT 2"	ANSI B1.20.3	PDV1.5051.012	4020	5	PDV1.5051.013	1900	8
RC 2"	UNI ISO 7/1	PDV1.5051.042	4020	5	PDV1.5051.043	1900	8

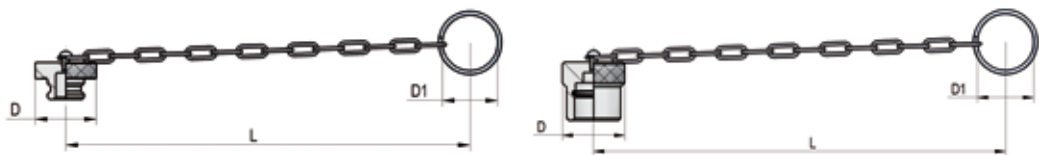
PLASTIC CAPS

NOMINAL SIZE			FEMALE DUST PLUG					MALE DUST CAP					COLOUR	MATERIAL
DNP	BG	ISO	COD. F	Dimensions			Weight	COD. M	Dimensions			Weight		
				D	L	D1	(g)		D	L	D1	(g)		
06	1	6.3	SPDV.06002	25	205	18	13	SPDV.06003	22	210	25	15	●	PVC
10	2	10	SPDV.10002	30	235	24	15	SPDV.10003	27	205	24	18	●	PVC
10	2	10	SPDV.10032	30	235	24	15	SPDV.10033	27	205	24	18	●	PVC
13	3	12.5	SPAV.13002	35	250	26	20	SPAV.13003	29	250	26	21	●	PVC
13	3	12.5	SPAV.13012	35	250	26	20	SPAV.13013	29	250	26	21	●	PVC
13	3	12.5	SPAV.13022	35	250	26	20	SPAV.13023	29	250	26	21	●	PVC
13	3	12.5	SPAV.13032	35	250	26	20	SPAV.13033	29	250	26	21	●	PVC
13	3	12.5	SPAV.13042	35	250	26	20	SPAV.13043	29	250	26	21	●	PVC
13	3	12.5	SPAV.13052	35	250	26	20	SPAV.13053	29	250	26	21	○	PVC
13	3	12.5	SPAV.13062	35	250	26	20	SPAV.13063	29	250	26	21	●	PVC
20	4	19	SPDV.20002	44	270	33	38	SPDV.20003	37	270	33	43	●	PVC
25	5	25	SPDV.25002	50	290	39	45	SPDV.25003	41	290	39	56	●	PVC
50	8	50	SPDV.50002	115	270	45	169	SPDV.50003	100	300	45	293	●	PVC

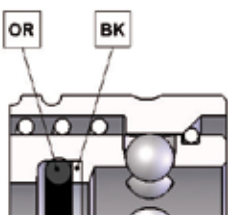


METAL CAPS

NOMINAL SIZE			FEMALE DUST PLUG					MALE DUST CAP					MATERIAL
DNP	BG	ISO	COD. F	Dimensions			Weight	COD. M	Dimensions			Weight	
				D	L	D1	(g)		D	L	D1	(g)	
13	3	12.5	SPAV.13202	38	205	32	51	SPAV.13203	38	205	32	70	Aluminum
30	6	31.5	SPAV.30202	70	275	47	120	SPDV.30203	63	275	47	215	Aluminum
39	7	40	SPAV.39202	83	275	47	170	SPDV.39203	78	275	47	355	Aluminum



SPARE PARTS



NOMINAL SIZE			FEMALE GASKET	
DNP	BG	ISO	OR (NBR*)	BK (PTFE)
06	1	6.3	PDV.006.120	PDV.006.130
10	2	10	PDV.010.120	PDV.010.130
13	3	12.5	PAV.013.120	PAV.013.130
20	4	20	PDV.019.120	PVV.019.130
25	5	25	PDV.025.120	PDV.025.130
30	6	31.5	PDV.030.120	PDV.030.130
39	7	40	PDV.039.120	PDV.039.130
50	8	50	PDV.050.120	-

* AL CODICE DELLA GUARNIZIONE IN NBR AGGIUNGERE 'E' PER EPDM O 'V' PER VITON
 TO THE NBR GASKET CODE ADD 'E' FOR EPDM OR 'V' FOR VITON
 ZU DER ARTIKELNR. DER NBR DICHTUNG GEBEN SIE 'E' FUER EPDM ODER 'V' FUER VITON AN
 AU CODE DU JOINT EN NBR JOINDRE 'E' POUR EPDM OU 'V' POUR VITON