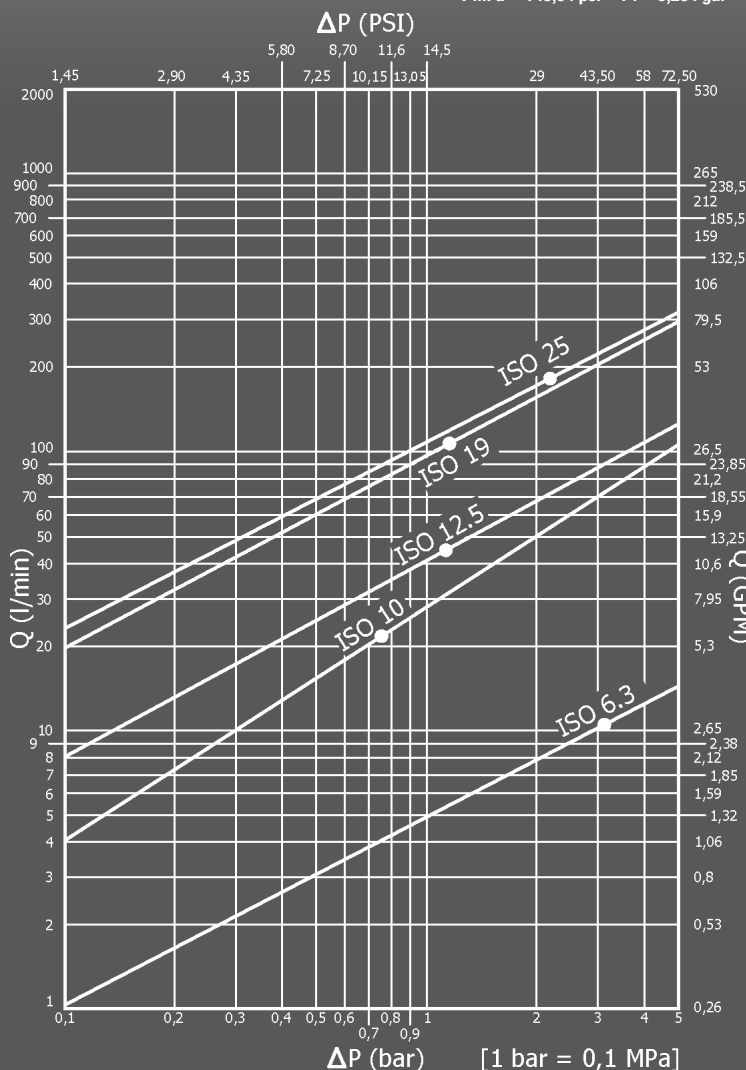


Nominal size				Max working pressure	Rated flow	Max flow rate	Min burst pressure			Fluid spillage
							Male	Female	Coupled	
DNP	BG	ISO	mm	MPa	l/min	l/min	MPa	MPa	MPa	cc
06	1	6.3	5	35	12	17	180	140	140	0,5
10	2	10	8,5	30	23	46	130	150	130	1,9
13	3	12.5	10,5	25	45	90	95	160	110	2,7
20	4	19	15,7	25	106	190	120	140	110	9,3
25	5	25	17,3	22,5	189	280	90	110	100	16

1 MPa = 145,04 psi • 1 l = 0,264 gal



PUSH PULL

VALVOLA
POPPET
VENTIL
CLAPET

Caratteristiche tecniche

- Norma: ISO 7241-1 A
- Ghiera: doppia azione
- Occlusione: valvola
- Aggancio: sfere radiali
- Materiale: acciaio
- Finitura: Zn-Fe (Cr III)
- Filettature: BSP - NPT - SAE - METRICHE
- Guarnizioni standard: NBR
- Temperatura d'esercizio: -25 °C +100 °C
- Guarnizioni opzionali: FKM, EPDM o altro
- Pressioni di esercizio: 225-350 bar
- Connessione in pressione: non consentita

Technical data

- Standard: ISO 7241-1 A
- Sleeve: double acting
- Occlusion: poppet
- Locking: radial balls
- Material: steel
- Finishing: Zn-Fe (Cr III)
- Threads: BSP - NPT - SAE - METRICS
- Standard seals: NBR
- Working temperature: -25 °C +100 °C
- Optional seals: FKM, EPDM or more
- Working pressure: 225-350 bar
- Connection under pressure: not allowed

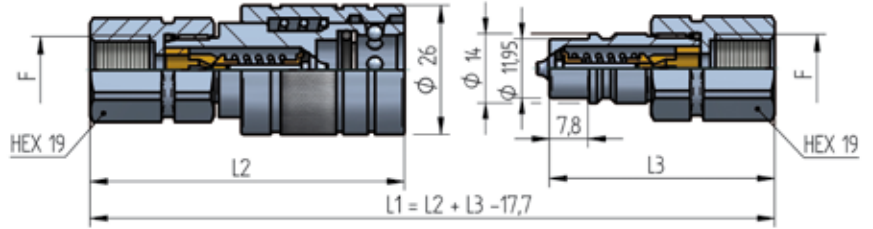
Technische Merkmale

- Norm: ISO 7241-1 A
- Hülse: doppelwirkend
- Verschluss: ventil
- Kupplung: Radialkugeln
- Werkstoff: Stahl
- Ausführung: Zn-Fe (Cr III)
- Gewinde: BSP - NPT - SAE - METRISCHE
- Standard-Dichtungen: NBR
- Betriebstemperatur: -25 °C +100 °C
- Dichtungen nach Wahl: FKM, EPDM, usw.
- Betriebsdruck: 225-350 bar
- Kuppeln unter Druck: nicht möglich

Caracteristiques techniques

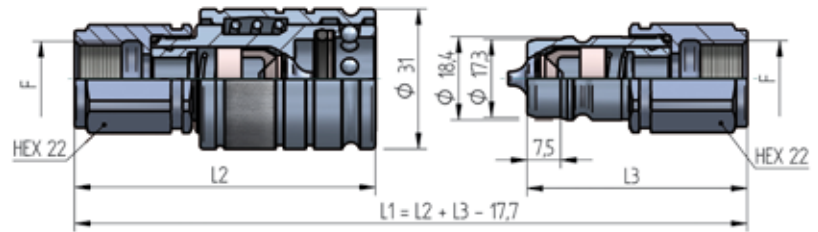
- Norme: ISO 7241-1 A
- Douille: double action
- Obturation: clapet
- Accrochage: billes radiales
- Matériel: acier
- Traitement: Zn-Fe (Cr III)
- Taraudage: BSP - NPT - SAE - METRIQUES
- Joints standard: NBR
- Température de service: -25 °C +100 °C
- Joints facultatifs: FKM, EPDM, ect.
- Pression de service: 225-350 bar
- Connexion sous pression: pas possible

PPV3 DN06 - BG 1 - ISO 6.3



THREADS	L2	L3	L4	ØT	F	STANDARD	FEMMINA - FEMALE - MUFFE - FEMELLE			MASCHIO - MALE - STECKER - MALE		
							COD. F	Weight (g)	Packaging (pcs.)	COD. M	Weight (g)	Packaging (pcs.)
IG 1	64	45,5			BSP 1/4"	DIN 3852-2-X	PPV3.0606.112	137	180	PPV3.0606.113	55	300
	64	45,5			NPT 1/4"	ANSI B1.20.3	PPV3.0606.012	138	180	PPV3.0606.013	56	300
AG 3	62	42	10	Ø8L	M14x1,5	ISO 8434-1-L	PPV3.0614.302	126	180	PPV3.0614.303	43	300
AGS 3	77	57	25	Ø8L	M14x1,5	ISO 8434-1-L	PPV3.0614.502	139	100	PPV3.0614.503	56	200

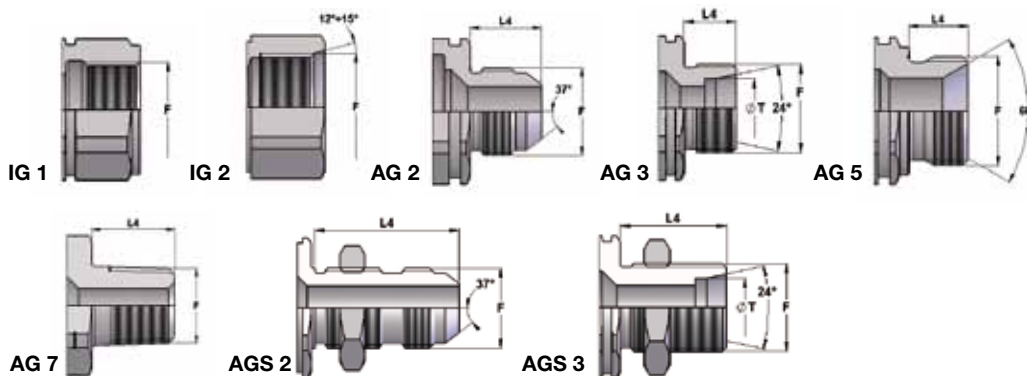
PPV3 DN10 - BG 2 - ISO 10



THREADS	L2	L3	L4	ØT	F	STANDARD	FEMMINA - FEMALE - MUFFE - FEMELLE			MASCHIO - MALE - STECKER - MALE		
							COD. F	Weight (g)	Packaging (pcs.)	COD. M	Weight (g)	Packaging (pcs.)
IG 1	67	49			BSP 1/4"	DIN 3852-2-X	PPV3.1006.112	195	60	PPV3.1006.113	82	150
	67	49			NPT 1/4"	ANSI B1.20.3	PPV3.1006.012	196	60	PPV3.1006.013	83	150
	67	49			BSP 3/8"	DIN 3852-2-X	PPV3.1010.112	186	60	PPV3.1010.113	73	150
	67	49			NPT 3/8"	ANSI B1.20.3	PPV3.1010.012	188	60	PPV3.1010.013	74	150
	67	49			M16x1,5	ISO 6149-1	PPV3.1016.102	189	60	PPV3.1016.103	75	150
	67	49			M18x1,5	ISO 6149-1	PPV3.1018.102	182	60	PPV3.1018.103	69	150
IG 2	67	49			9/16"-18 UNF 2B	SAE J 1926-1	PPV3.1015.032	192	60	PPV3.1015.033	79	150
AG 2	68,9	50,9	14,1		9/16"-18 UNF 2A	SAE J 514	PPV3.1015.302	180	60	PPV3.1015.303	66	150
AGS 2	88,1	70,1	33,3		9/16"-18 UNF 2A	SAE J 514	PPV3.1015.502	193	60	PPV3.1015.503	79	120
AG 5	69,3	51,3	12		BSP 3/8"	DIN 3852-2-B	PPV3.1010.212	188	60	PPV3.1010.213	75	150
	68,8	50,8	12		BSP 1/4"	DIN 3852-2-A	PPV3.1006.712	183	60	PPV3.1006.713	69	150
	69,3	51,3	12		BSP 3/8"	DIN 3852-2-A	PPV3.1010.712	188	60	PPV3.1010.713	75	150
AG 7	68,8	50,8	14		NPT 1/4"	ANSI B1.20.3	PPV3.1006.022	182	60	PPV3.1006.023	69	150
	68,8	50,8	14		R 1/4"-19	UNI ISO 7/1	PPV3.1006.042	182	60	PPV3.1006.043	69	150

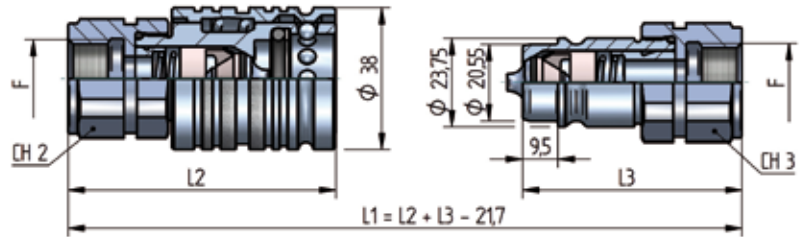
segue/follows/foigt/suite →

THREADS



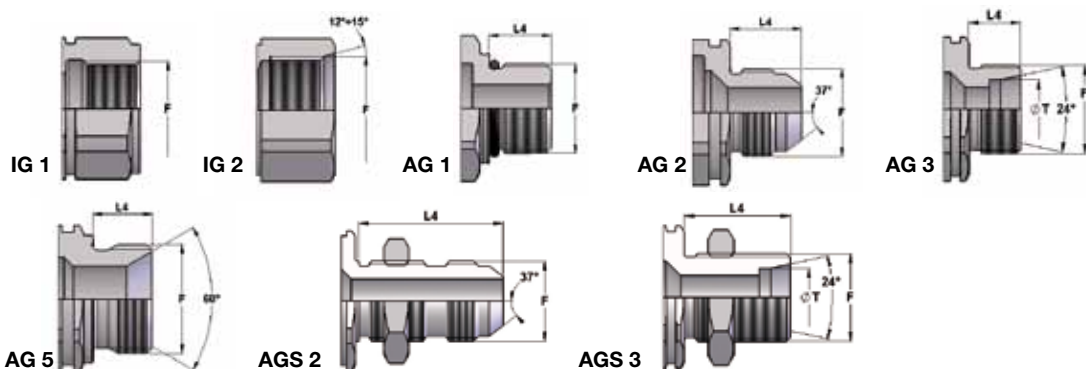
THREADS	L2	L3	L4	ØT	F	STANDARD	FEMMINA - FEMALE - MUFFE - FEMELLE			MASCHIO - MALE - STECKER - MALE		
							COD. F	Weight (g)	Packaging (pcs.)	COD. M	Weight (g)	Packaging (pcs.)
AG 3	64,8	46,8	10	06L	M12x1,5	ISO 8434-1-L	PPV3.1012.302	177	60	PPV3.1012.303	64	150
	64,8	46,8	10	08L	M14x1,5	ISO 8434-1-L	PPV3.1014.302	178	60	PPV3.1014.303	65	150
	65,8	47,8	11	10L	M16x1,5	ISO 8434-1-L	PPV3.1016.302	179	60	PPV3.1016.303	66	150
	65,8	47,8	11	12L	M18x1,5	ISO 8434-1-L	PPV3.1018.302	180	60	PPV3.1018.303	66	150
	66,8	48,8	12	08S	M16x1,5	ISO 8434-1-S	PPV3.1016.402	183	60	PPV3.1016.403	70	150
	66,8	48,8	12	10S	M18x1,5	ISO 8434-1-S	PPV3.1018.402	185	60	PPV3.1018.403	72	150
	66,8	48,8	12	12S	M20x1,5	ISO 8434-1-S	PPV3.1020.402	187	60	PPV3.1020.403	74	150
AGS 3	80,8	62,8	26	06L	M12x1,5	ISO 8434-1-L	PPV3.1012.502	194	60	PPV3.1012.503	81	120
	80,8	62,8	26	08L	M14x1,5	ISO 8434-1-L	PPV3.1014.502	198	60	PPV3.1014.503	85	120
	80,8	62,8	26	10L	M16x1,5	ISO 8434-1-L	PPV3.1016.502	204	60	PPV3.1016.503	90	120
	80,8	62,8	26	12L	M18x1,5	ISO 8434-1-L	PPV3.1018.502	209	60	PPV3.1018.503	95	120
	81,8	63,8	27	08S	M16x1,5	ISO 8434-1-S	PPV3.1016.602	212	60	PPV3.1016.603	99	120
	81,8	63,8	27	10S	M18x1,5	ISO 8434-1-S	PPV3.1018.602	219	60	PPV3.1018.603	105	120
	81,8	63,8	27	12S	M20x1,5	ISO 8434-1-S	PPV3.1020.602	228	60	PPV3.1020.603	115	120

PPV3 DN13 - BG 3 - ISO 12.5

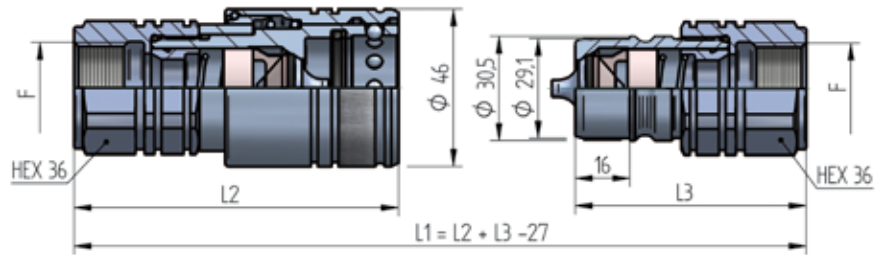


THREADS	CH2	L2	CH3	L3	L4	ØT	F	STANDARD	FEMMINA - FEMALE - MUFFE - FEMELLE			MASCHIO - MALE - STECKER - MALE		
									COD. F	Weight (g)	Packaging (pcs.)	COD. M	Weight (g)	Packaging (pcs.)
IG 1	30	72	30	59			BSP 3/8"	DIN 3852-2-X	PPV3.1310.112	324	35	PPV3.1310.113	166	60
	30	74,5	30	61,5			NPT 3/8"	ANSI B1.20.3	PPV3.1310.012	350	35	PPV3.1310.013	192	60
	30	72	30	59			BSP 1/2"	DIN 3852-2-X	PPV3.1313.112	320	35	PPV3.1313.113	162	60
	30	75	30	62			NPT 1/2"	ANSI B1.20.3	PPV3.1313.012	334	35	PPV3.1313.013	176	60
	30	76,5	30	63,5			RC 1/2"	UNI ISO 7/1	PPV3.1313.042	341	35	PPV3.1313.043	183	60
	36	77,5	36	64,5			BSP 3/4"	DIN 3852-2-X	PPV3.1319.112	373	35	PPV3.1319.113	215	40
	36	77,5	36	64,5			NPT 3/4"	ANSI B1.20.3	PPV3.1319.012	382	35	PPV3.1319.013	224	40
	30	72	30	59			M14x1,5	ISO 6149-1	PPV3.1314.102	333	35	PPV3.1314.103	175	60
	30	72	30	59			M16x1,5	ISO 6149-1	PPV3.1316.102	327	35	PPV3.1316.103	169	60
	30	72	30	59			M18x1,5	ISO 6149-1	PPV3.1318.102	321	35	PPV3.1318.103	163	60
IG 2	30	72	30	59			9/16"-18 UNF 2B	SAE J 1926-1	PPV3.1315.032	331	35	PPV3.1315.033	173	60
	30	72	30	59			3/4"-16 UNF 2B	SAE J 1926-1	PPV3.1319.032	326	35	PPV3.1319.033	168	60
	30	76	30	63			7/8"-14 UNF 2A	SAE J 1926-1	PPV3.1323.032	325	35	PPV3.1323.033	167	60
	30	74	30	61			M16x1,5	SAE J 2244/1	PPV3.1316.112	341	35	PPV3.1316.113	183	60
	30	72	30	59			M22x1,5	SAE J 2244/1	PPV3.1322.102	328	35	PPV3.1322.103	170	60
AG 1	27	72,1	27	59,1	11,1		3/4"-16 UNF 2A	SAE J 1926-3	PPV5.1319.332	292	35	PPV5.1319.333	134	70
	30	75	30	62	16		M20x1,5	ISO 6149-2	PPV3.1320.222	311	35	PPV3.1320.223	153	60
AG 2	30	75,7	30	62,7	16,7		3/4"-16 UNF 2A	SAE J 514	PPV3.1319.302	301	35	PPV3.1319.303	143	60
	30	73,1	30	60,1	14,1		9/16"-18 UNF 2A	SAE J 514	PPV3.1315.302	292	35	PPV3.1315.303	134	60
AGS 2	30	96,6	30	83,6	37,6		3/4"-16 UNF 2A	SAE J 514	PPV3.1319.502	328	35	PPV3.1319.503	170	60
	30	100,1	30	87,1	41,1		7/8"-14 UNF 2A	SAE J 514	PPV3.1323.502	344	35	PPV3.1323.503	186	60

THREADS	CH2	L2	CH3	L3	L4	ØT	F	STANDARD	FEMMINA - FEMALE - MUFFE - FEMELLE			MASCHIO - MALE - STECKER - MALE		
									COD. F	Weight (g)	Packaging (pcs.)	COD. M	Weight (g)	Packaging (pcs.)
AG 5	30	73,5	30	60,5	12		BSP 3/8"	DIN 3852-2-B	PPV3.1310.212	302	35	PPV3.1310.213	144	60
	30	76	30	63	13		BSP 1/2"	DIN 3852-2-B	PPV3.1313.212	310	35	PPV3.1313.213	152	60
	30	70	30	57	11		M16x1,5	DIN 3863-U	PPV3.1316.702	294	35	PPV3.1316.703	136	60
	30	75	30	62	16		M20x1,5	DIN 3863-U	PPV3.1320.702	307	35	PPV3.1320.703	148	60
	30	73	30	60	14		M22x1,5	DIN 3863-U	PPV3.1322.702	304	35	PPV3.1322.703	146	60
AG 3	30	69	30	56	10	08L	M14x1,5	ISO 8434-1-L	PPV3.1314.302	292	35	PPV3.1314.303	134	60
	30	70	30	57	11	10L	M16x1,5	ISO 8434-1-L	PPV3.1316.302	293	35	PPV3.1316.303	135	60
	30	70	30	57	11	12L	M18x1,5	ISO 8434-1-L	PPV3.1318.302	294	35	PPV3.1318.303	136	60
	30	71	30	58	12	15L	M22x1,5	ISO 8434-1-L	PPV3.1322.302	299	35	PPV3.1322.303	141	60
	30	71	30	58	12	18L	M26x1,5	ISO 8434-1-L	PPV3.1326.302	304	35	PPV3.1326.303	146	60
	30	71	30	58	12	10S	M18x1,5	ISO 8434-1-S	PPV3.1318.402	299	35	PPV3.1318.403	141	60
	30	71	30	58	12	12S	M20x1,5	ISO 8434-1-S	PPV3.1320.402	301	35	PPV3.1320.403	143	60
	30	73	30	60	14	14S	M22x1,5	ISO 8434-1-S	PPV3.1322.402	306	35	PPV3.1322.403	148	60
	30	73	30	60	14	16S	M24x1,5	ISO 8434-1-S	PPV3.1324.402	307	35	PPV3.1324.403	149	60
	30	75	30	62	16	20S	M30x2	ISO 8434-1-S	PPV3.1330.402	323	35	PPV3.1330.403	165	60
	27	70	27	57	11	10L	M16x1,5	ISO 8434-1-L	PPV5.1316.302	284	35	PPV5.1316.303	126	70
	27	70	27	57	11	12L	M18x1,5	ISO 8434-1-L	PPV5.1318.302	281	35	PPV5.1318.303	123	70
	27	71	27	58	12	15L	M22x1,5	ISO 8434-1-L	PPV5.1322.302	286	35	PPV5.1322.303	128	70
	AGS 3	30	85	30	72	26	08L	M14x1,5	ISO 8434-1-L	PPV3.1314.502	312	35	PPV3.1314.503	154
30		85	30	72	26	10L	M16x1,5	ISO 8434-1-L	PPV3.1316.502	318	35	PPV3.1316.503	160	60
30		85	30	72	26	12L	M18x1,5	ISO 8434-1-L	PPV3.1318.502	322	35	PPV3.1318.503	164	60
30		95	30	82	36	12L	M18x1,5	ISO 8434-1-L	PPV3.1318.512	330	35	PPV3.1318.513	172	60
30		86	30	73	27	15L	M22x1,5	ISO 8434-1-L	PPV3.1322.502	347	35	PPV3.1322.503	189	60
30		86	30	73	27	18L	M26x1,5	ISO 8434-1-L	PPV3.1326.502	378	35	PPV3.1326.503	220	60
30		86	30	73	27	10S	M18x1,5	ISO 8434-1-S	PPV3.1318.602	333	35	PPV3.1318.603	175	60
30		86	30	73	27	12S	M20x1,5	ISO 8434-1-S	PPV3.1320.602	341	35	PPV3.1320.603	183	60
30		88	30	75	29	14S	M22x1,5	ISO 8434-1-S	PPV3.1322.602	360	35	PPV3.1322.603	202	60
30		88	30	75	29	16S	M24x1,5	ISO 8434-1-S	PPV3.1324.602	365	35	PPV3.1324.603	207	60
30		88	30	75	29	20S	M30x2	ISO 8434-1-S	PPV3.1330.602	419	35	PPV3.1330.603	261	60
27		85	27	72	26	12L	M18x1,5	ISO 8434-1-L	PPV5.1318.502	309	35	PPV5.1318.503	151	70
27		86	27	73	27	15L	M22x1,5	ISO 8434-1-L	PPV5.1322.502	335	35	PPV5.1322.503	177	70

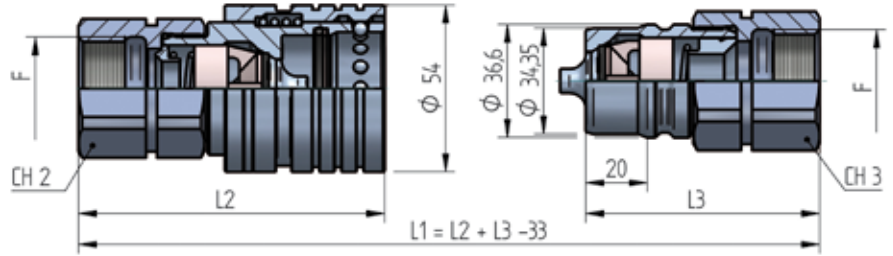
THREADS


PPV3 DN20 - BG 4 - ISO 19



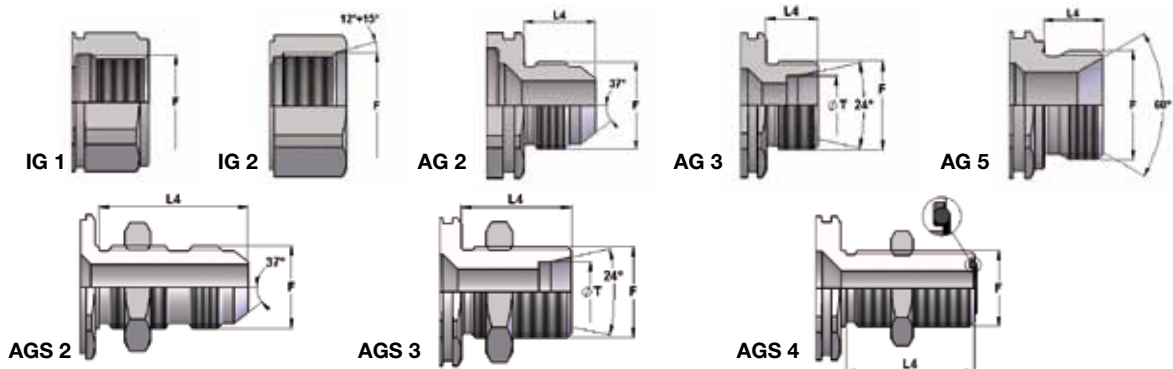
THREADS	L2	L3	L4	ØT	F	STANDARD	FEMMINA - FEMALE - MUFFE - FEMELLE			MASCIO - MALE - STECKER - MALE		
							COD. F	Weight (g)	Packaging (pcs.)	COD. M	Weight (g)	Packaging (pcs.)
IG 1	92,8	65,5			BSP 1/2"	DIN 3852-2-X	PPV3.2013.112	623	24	PPV3.2013.113	288	42
	94,3	67			NPT 1/2"	ANSI B1.20.3	PPV3.2013.012	636	24	PPV3.2013.013	301	42
	94,8	67,5			BSP 3/4"	DIN 3852-2-X	PPV3.2019.112	603	24	PPV3.2019.113	268	42
	94,3	67			NPT 3/4"	ANSI B1.20.3	PPV3.2019.012	608	24	PPV3.2019.013	274	42
	90,8	63,5			M18x1,5	ISO 6149-1	PPV3.2018.102	622	24	PPV3.2018.103	287	42
	90,3	63			M22x1,5	ISO 6149-1	PPV3.2022.102	605	24	PPV3.2022.103	270	42
	94,3	67			M26x1,5	ISO 6149-1	PPV3.2026.102	602	24	PPV3.2026.103	267	42
	94,3	67			M30x1,5	ISO 6149-1	PPV3.2030.102	575	24	PPV3.2030.103	241	42
	IG 2	90,3	63			3/4"-16 UNF 2B	SAE J 1926-1	PPV3.2019.032	615	24	PPV3.2019.033	280
94,3		67			7/8"-14 UNF 2B	SAE J 1926-1	PPV3.2023.032	627	24	PPV3.2023.033	292	42
94,3		67			1"1/16-12 UN 2B	SAE J 1926-1	PPV3.2027.032	597	24	PPV3.2027.033	263	42
AG 2	101,3	74	22		1"1/16-12 UN 2B	SAE J 514	PPV3.2027.302	593	24	PPV3.2027.303	259	42
AGS 2	120,4	93,1	41,1		7/8"-14 UNF 2A	SAE J 514	PPV3.2023.502	612	10	PPV3.2023.503	278	30
	124,7	97,4	45,4		1"1/16-12 UN 2B	SAE J 514	PPV3.2027.502	645	10	PPV3.2027.503	310	30
AG 5	98,3	71	16		BSP 3/4"	DIN 3852-2-A	PPV3.2019.712	594	24	PPV3.2019.713	260	42
AG 3	90,3	63	11	12L	M18x1,5	ISO 8434-1-L	PPV3.2018.302	561	24	PPV3.2018.303	226	42
	91,3	64	12	15L	M22x1,5	ISO 8434-1-L	PPV3.2022.302	565	24	PPV3.2022.303	231	42
	91,3	64	12	18L	M26x1,5	ISO 8434-1-L	PPV3.2026.302	572	24	PPV3.2026.303	237	42
	93,3	66	14	22L	M30x2	ISO 8434-1-L	PPV3.2030.302	575	24	PPV3.2030.303	241	42
	91,3	64	12	10S	M18x1,5	ISO 8434-1-S	PPV3.2018.402	564	24	PPV3.2018.403	230	42
	91,3	64	12	12S	M20x1,5	ISO 8434-1-S	PPV3.2020.402	567	24	PPV3.2020.403	232	42
	93,3	66	14	14S	M22x1,5	ISO 8434-1-S	PPV3.2022.402	571	24	PPV3.2022.403	236	42
	93,3	66	14	16S	M24x1,5	ISO 8434-1-S	PPV3.2024.402	574	24	PPV3.2024.403	239	42
	95,3	68	16	20S	M30x2	ISO 8434-1-S	PPV3.2030.402	588	24	PPV3.2030.403	253	42
AGS 3	105,3	78	26	12L	M18x1,5	ISO 8434-1-L	PPV3.2018.502	589	10	PPV3.2018.503	254	30
	106,3	79	27	15L	M22x1,5	ISO 8434-1-L	PPV3.2022.502	614	10	PPV3.2022.503	279	30
	106,3	79	27	18L	M26x1,5	ISO 8434-1-L	PPV3.2026.502	646	10	PPV3.2026.503	311	30
	113,3	86	34	22L	M30x2	ISO 8434-1-L	PPV3.2030.502	682	10	PPV3.2030.503	348	30
	106,3	79	27	10S	M18x1,5	ISO 8434-1-S	PPV3.2018.602	597	10	PPV3.2018.603	262	30
	106,3	79	27	12S	M20x1,5	ISO 8434-1-S	PPV3.2020.602	608	10	PPV3.2020.603	273	30
	108,3	81	29	14S	M22x1,5	ISO 8434-1-S	PPV3.2022.602	623	10	PPV3.2022.603	289	30
	108,3	81	29	16S	M24x1,5	ISO 8434-1-S	PPV3.2024.602	631	10	PPV3.2024.603	296	30
	113,3	86	34	20S	M30x2	ISO 8434-1-S	PPV3.2030.602	677	10	PPV3.2030.603	343	30
AGS 4	117,8	90,5	38,5		1"-14 UNS 2A	SAE J 1453	PPV3.2025.532	644	10	PPV3.2025.533	310	30

PPV3 DN25 - BG 5 - ISO 25



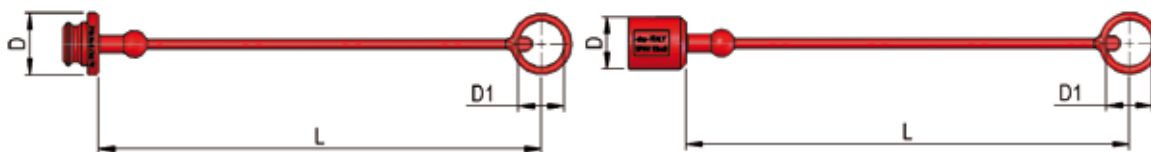
THREADS	CH2	L2	CH3	L3	L4	ØT	F	STANDARD	FEMMINA - FEMALE - MUFFE - FEMELLE			MASCHIO - MALE - STECKER - MALE			
									COD. F	Weight (g)	Pack. (pcs.)	COD. M	Weight (g)	Packaging (pcs.)	
IG 1	41	99,5	41	76			BSP 3/4"	DIN 3852-2-X	PPV3.2519.112	853	18	PPV3.2519.113	453	30	
	41	99,5	41	76			NPT 3/4"	ANSI B1.20.3	PPV3.2519.012	860	18	PPV3.2519.013	460	30	
	41	99,5	41	76			BSP 1"	DIN 3852-2-X	PPV3.2525.112	798	18	PPV3.2525.113	398	30	
	41	99,5	41	76			NPT 1"	ANSI B1.20.3	PPV3.2525.012	811	18	PPV3.2525.013	411	30	
	41	99,5	41	76			M30x1,5	ISO 6149-1	PPV3.2530.102	826	18	PPV3.2530.103	426	30	
IG 2	41	99,5	41	76			1"1/16-12 UN 2B	SAE J 1926-1	PPV3.2527.032	847	18	PPV3.2527.033	447	30	
	41	99,5	41	76			1"5/16-12 UN 2B	SAE J 1926-1	PPV3.2533.032	826	18	PPV3.2533.033	389	30	
AG 5	41	101,5	41	78	18		BSP 1"	DIN 3852-2-B	PPV3.2525.212	796	18	PPV3.2525.213	396	30	
	41	97,5	41	74	17		BSP 1"	BS B5200	PPV3.2525.702	773	18	PPV3.2525.703	373	30	
	41	99,5	41	76	16		BSP 3/4"	DIN 3852-2-A	PPV3.2519.712	772	18	PPV3.2519.713	372	30	
	41	101,5	41	78	18		BSP 1"	DIN 3852-2-A	PPV3.2525.712	798	18	PPV3.2525.713	398	30	
AG 3	41	92,5	41	69	12	18L	M26x1,5	ISO 8434-1-L	PPV3.2526.302	748	18	PPV3.2526.303	348	30	
	41	94,5	41	71	14	22L	M30x2	ISO 8434-1-L	PPV3.2530.302	753	18	PPV3.2530.303	353	30	
	41	94,5	41	71	14	28L	M36x2	ISO 8434-1-L	PPV3.2536.302	759	18	PPV3.2536.303	359	30	
	46	96,5	46	73	16	35L	M45x2	ISO 8434-1-L	PPV3.2545.302	847	18	PPV3.2545.303	447	30	
	41	96,5	41	73	16	20S	M30x2	ISO 8434-1-S	PPV3.2530.402	764	18	PPV3.2530.403	364	30	
	41	98,5	41	75	18	25S	M36x2	ISO 8434-1-S	PPV3.2536.402	787	18	PPV3.2536.403	387	30	
	46	100,5	46	77	20	30S	M42x2	ISO 8434-1-S	PPV3.2542.402	868	10	PPV3.2542.403	468	25	
	55	102,5	55	79	22	38S	M52x2	ISO 8434-1-S	PPV3.2552.402	1056	10	PPV3.2552.403	655	25	
	AGS 3	41	114,5	41	91	34	18L	M26x1,5	ISO 8434-1-L	PPV3.2526.502	837	10	PPV3.2526.503	436	25
		41	114,5	41	91	34	22L	M30x2	ISO 8434-1-L	PPV3.2530.502	862	10	PPV3.2530.503	462	25
41		114,5	41	91	34	28L	M36x2	ISO 8434-1-L	PPV3.2536.502	900	10	PPV3.2536.503	499	25	
46		120,5	46	97	40	35L	M45x2	ISO 8434-1-L	PPV3.2545.502	1114	10	PPV3.2545.503	714	25	
41		116,5	41	93	36	20S	M30x2	ISO 8434-1-S	PPV3.2530.602	879	10	PPV3.2530.603	479	25	
41		118,5	41	95	38	25S	M36x2	ISO 8434-1-S	PPV3.2536.602	940	10	PPV3.2536.603	540	25	
46		120,5	46	97	40	30S	M42x2	ISO 8434-1-S	PPV3.2542.602	1050	10	PPV3.2542.603	650	20	
55		133,5	55	110	53	38S	M52x2	ISO 8434-1-S	PPV3.2552.602	1446	10	PPV3.2552.603	1046	20	

THREADS



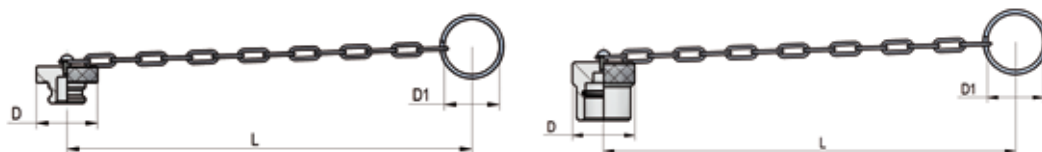
PLASTIC CAPS

NOMINAL SIZE			FEMALE DUST PLUG					MALE DUST CAP					COLOUR	MATERIAL
DNP	BG	ISO	COD. F	Dimensions			Weight	COD. M	Dimensions			Weight		
				D	L	D1	(g)		D	L	D1	(g)		
10	2	10	SPAV.10002	28	220	22	14	SPAV.10003	23,5	220	22	16	●	PVC
10	2	10	SPAV.10022	28	220	22	14	SPAV.10023	23,5	220	22	16	●	PVC
10	2	10	SPAV.10032	28	220	22	14	SPAV.10033	23,5	220	22	16	●	PVC
13	3	12.5	SPAV.13002	35	250	26	20	SPAV.13003	29	250	26	21	●	PVC
13	3	12.5	SPAV.13012	35	250	26	20	SPAV.13013	29	250	26	21	●	PVC
13	3	12.5	SPAV.13022	35	250	26	20	SPAV.13023	29	250	26	21	●	PVC
13	3	12.5	SPAV.13032	35	250	26	20	SPAV.13033	29	250	26	21	●	PVC
13	3	12.5	SPAV.13042	35	250	26	20	SPAV.13043	29	250	26	21	●	PVC
13	3	12.5	SPAV.13052	35	250	26	20	SPAV.13053	29	250	26	21	○	PVC
13	3	12.5	SPAV.13062	35	250	26	20	SPAV.13063	29	250	26	21	●	PVC
20	4	19	SPAV.20002	42	270	36	33	SPAV.20003	36,5	270	36	39	●	PVC
20	4	19	SPAV.20012	42	270	36	33	SPAV.20013	36,5	270	36	39	●	PVC
20	4	19	SPAV.20032	42	270	36	33	SPAV.20033	36,5	270	36	39	●	PVC
20	4	19	SPAV.20052	42	270	36	33	SPAV.20053	36,5	270	36	39	○	PVC
20	4	19	SPAV.20062	42	270	36	33	SPAV.20063	36,5	270	36	39	●	PVC
25	5	25	SPAV.25002	41	235	28	46	SPAV.25003	36	235	28	53	●	PVC

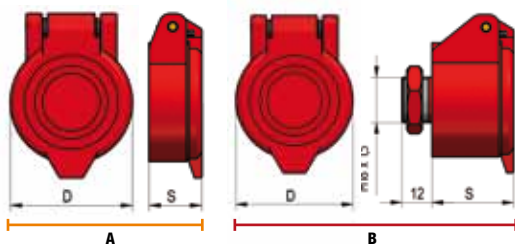


METAL CAPS

NOMINAL SIZE			FEMALE DUST PLUG					MALE DUST CAP					MATERIAL
DNP	BG	ISO	COD. F	Dimensions			Weight	COD. M	Dimensions			Weight	
				D	L	D1	(g)		D	L	D1	(g)	
10	2	10	SPAV.10202	30	200	33	42	SPAV.10203	30	200	33	50	Aluminum
13	3	12.5	SPAV.13202	38	205	32	51	SPAV.13203	38	205	32	70	Aluminum
20	4	19	SPAV.20202	45	275	47	66	SPAV.20203	45	275	47	107	Aluminum
25	5	25	SPAV.25202	43	240	41	59	SPAV.25203	45	290	41	119	Aluminum

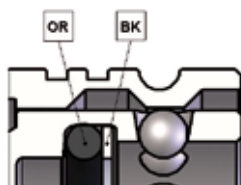


AUTOMATIC CAPS



NOMINAL SIZE			AUTOMATIC FEMALE CAP (A)				AUTOMATIC MALE CAP (B)				COLOUR	MATERIAL
DNP	BG	ISO	COD. F	Dimensions		Weight	COD. M	Dimensions		Weight		
				D	S	(g)		D	S	(g)		
13	3	12.5	SPPV.13302	46	18,4	24	SPPV.13303	46	33	59	●	Nylon
13	3	12.5	SPPV.13312	46	18,4	24	-	-	-	-	●	Nylon
13	3	12.5	SPPV.13322	46	18,4	24	-	-	-	-	●	Nylon
13	3	12.5	SPPV.13332	46	18,4	24	-	-	-	-	●	Nylon
13	3	12.5	SPPV.13342	46	18,4	24	SPPV.13343	46	33	59	●	Nylon

SPARE PARTS



NOMINAL SIZE			FEMALE GASKET	
DNP	BG	ISO	OR (NBR*)	BK (PTFE)
06	1	6.3	PAV.006.120	PAV.006.130
10	2	10	PPV.010.120	PPV.010.130
13	3	12.5	PPV.013.120	PPV.013.130
20	4	20	PAV.019.120	PAV.019.130
25	5	25	PAV.025.120	PAV.025.130

* AL CODICE DELLA GUARNIZIONE IN NBR AGGIUNGERE 'E' PER EPDM O 'V' PER VITON
 TO THE NBR GASKET CODE ADD 'E' FOR EPDM OR 'V' FOR VITON
 ZU DER ARTIKELNR. DER NBR DICHTUNG GEBEN SIE 'E' FUER EPDM ODER 'V' FUER VITON AN
 AU CODE DU JOINT EN NBR JOINDRE 'E' POUR EPDM OU 'V' POUR VITON