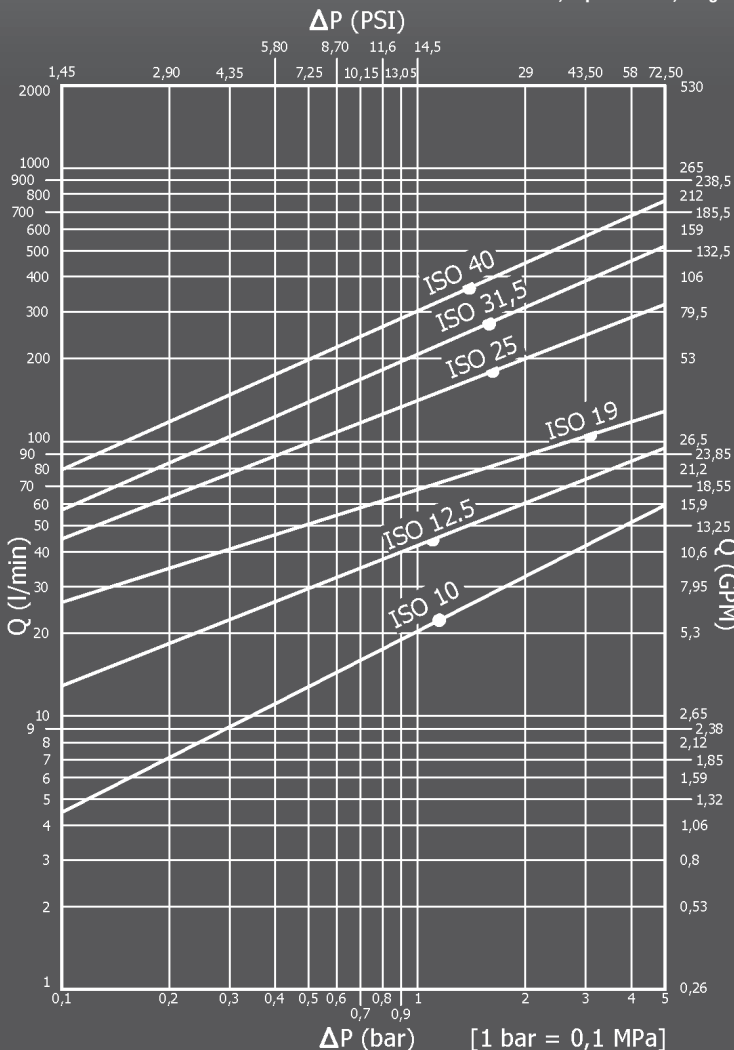


Nominal size				Max working pressure	Rated flow	Max flow rate	Min burst pressure			Fluid spillage
							Male	Female	Coupled	
DNP	BG	ISO	mm	MPa	l/min	l/min	MPa	MPa	MPa	cc
10	2	10	8	61	23	50	260	245	245	2
13	3	12.5	11,5	47	45	85	165	210	190	3
20	4	19	13,5	31	106	120	125	150	125	10
25	5	25	17,8	30	189	280	110	160	130	16
30	6	31.5	21,2	30	288	460	120	130	130	30
39	7	40	22,6	27	379	700	95	150	110	54

1 MPa = 145,04 psi • 1 l = 0,264 gal



SCREW/RoFLEX

VITE ALTA RESISTENZA
HIGH RESISTANCE SCREW COUPLINGS
SCHRAUBKUPPLUNGEN SCHWERER BAUREIHE
COUPLEURS A VISSER HAUTE RESISTANCE

Caratteristiche tecniche

- Intercambiabilità: innesti RoFLEX
- Occlusione: valvola
- Aggancio: a vite
- Materiale: acciaio
- Finitura: Zn-Fe (Cr III)
- Filettature: BSP
- Guarnizioni standard: NBR
- Temperatura d'esercizio: -25 °C +100 °C
- Guarnizioni opzionali: FKM, EPDM o altro
- Pressioni di esercizio: 270-610 bar
- Connessione in pressione: consentita (lato maschio o lato femmina)
- Massima pressione residua: 100 bar

Technical data

- Interchange: RoFLEX couplings
- Occlusion: poppet
- Locking: screw
- Material: steel
- Finishing: Zn-Fe (Cr III)
- Threads: BSP
- Standard seals: NBR
- Working temperature: -25 °C +100 °C
- Optional seals: FKM, EPDM or more
- Working pressure: 270-610 bar
- Connection under pressure: allowed (both male or female side)
- Max residual pressure: 100 bar

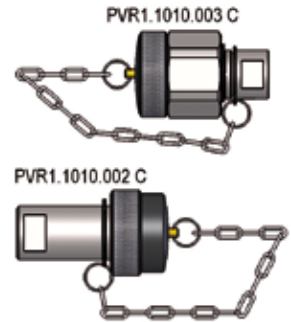
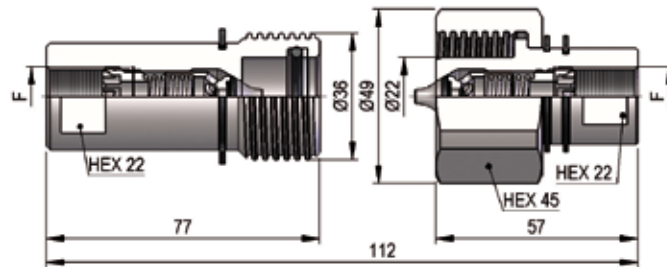
Technische Merkmale

- Austauschbarkeit: RoFLEX kupplungen
- Verschluss: ventil
- Kupplung: Schraubweise
- Werkstoff: Stahl
- Ausführung: Zn-Fe (Cr III)
- Gewinde: BSP
- Standard-Dichtungen: NBR
- Betriebstemperatur: -25 °C +100 °C
- Dichtungen nach Wahl: FKM, EPDM, usw.
- Betriebsdruck: 270-610 bar
- Kuppeln unter Druck: erlaubt (Steckerseite oder Muffenseite)
- Max. Restdruck: 100 bar

Caracteristiques techniques

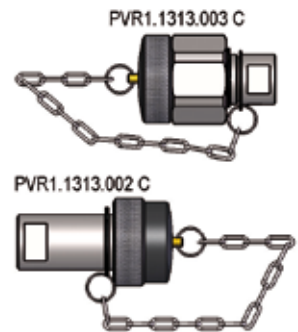
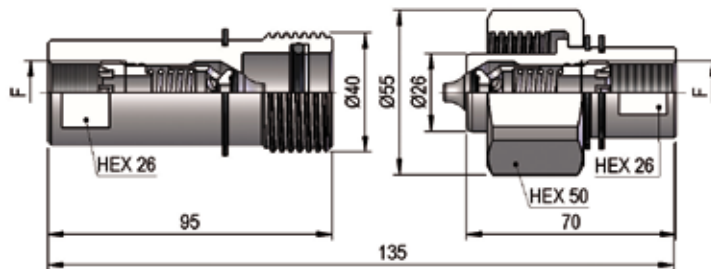
- Intercambiabilità: coupleurs RoFLEX
- Obturation: clapet
- Accrochage: a vissé
- Matériel: acier
- Traitement: Zn-Fe (Cr III)
- Taraudage: BSP
- Joints standard: NBR
- Température de service: -25 °C +100 °C
- Joints facultatifs: FKM, EPDM, ect.
- Pression de service: 270-610 bar
- Connexion sous pression: possible (côté male ou femelle)
- Pression restante max: 100 bar

PVR1 DN10 - BG 2 - ISO 10



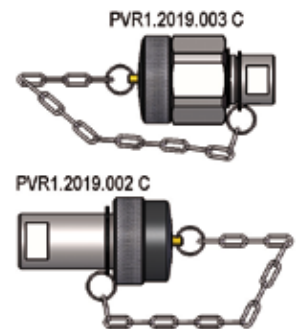
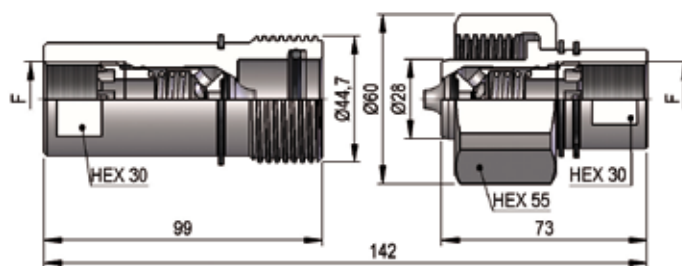
F	STANDARD	FEMMINA - FEMALE - MUFFE - FEMELLE			MASCHIO - MALE - STECKER - MALE		
		COD. F	Weight (g)	Packaging (pcs.)	COD. M	Weight (g)	Packaging (pcs.)
BSP 3/8"	DIN 3852-2-X	PVR1.1010.002	318	45	PVR1.1010.003	352	24
BSP 3/8"	DIN 3852-2-X	PVR1.1010.002 C	371	32	PVR1.1010.003 C	410	20

PVR1 DN13 - BG 3 - ISO 12.5

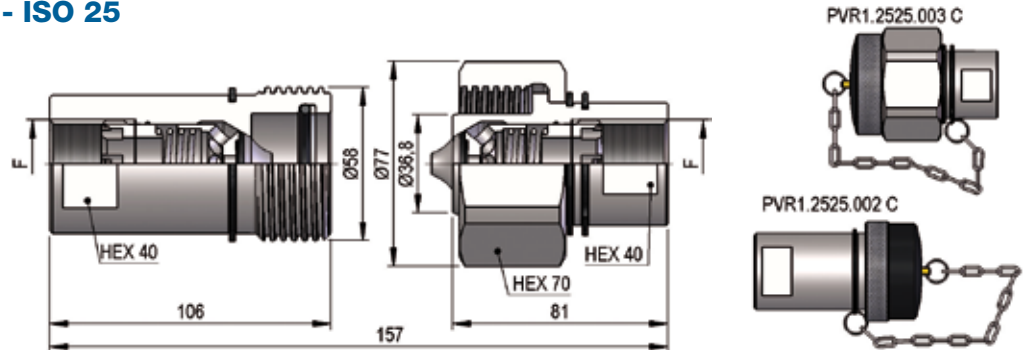


F	STANDARD	FEMMINA - FEMALE - MUFFE - FEMELLE			MASCHIO - MALE - STECKER - MALE		
		COD. F	Weight (g)	Packaging (pcs.)	COD. M	Weight (g)	Packaging (pcs.)
BSP 1/2"	DIN 3852-2-X	PVR1.1313.002	484	24	PVR1.1313.003	480	15
BSP 1/2"	DIN 3852-2-X	PVR1.1313.002 C	540	24	PVR1.1313.003 C	566	15

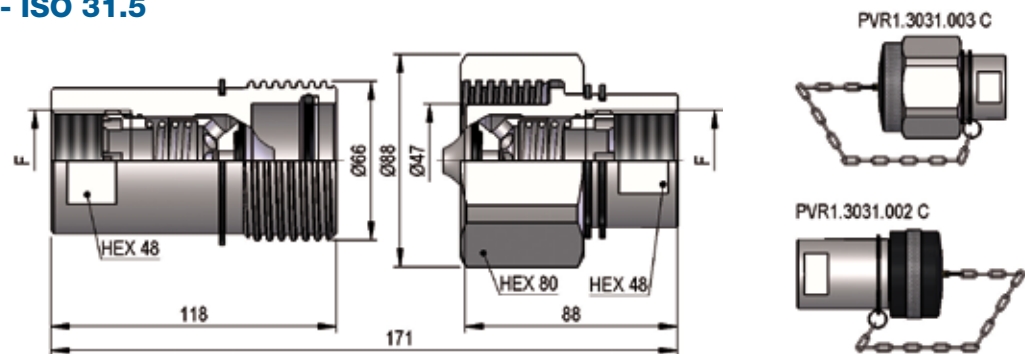
PVR1 DN20 - BG 4 - ISO 19



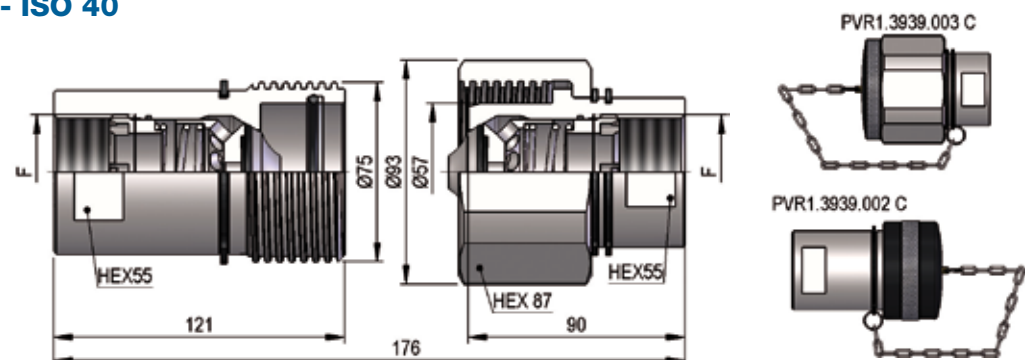
F	STANDARD	FEMMINA - FEMALE - MUFFE - FEMELLE			MASCHIO - MALE - STECKER - MALE		
		COD. F	Weight (g)	Packaging (pcs.)	COD. M	Weight (g)	Packaging (pcs.)
BSP 3/4"	DIN 3852-2-X	PVR1.2019.002	660	18	PVR1.2019.003	599	13
BSP 3/4"	DIN 3852-2-X	PVR1.2019.002 C	728	18	PVR1.2019.003 C	680	13

PVR1 DN25 - BG 5 - ISO 25


F	STANDARD	FEMMINA - FEMALE - MUFFE - FEMELLE			MASCHIO - MALE - STECKER - MALE		
		COD. F	Weight (g)	Packaging (pcs.)	COD. M	Weight (g)	Packaging (pcs.)
BSP 1"	DIN 3852-2-X	PVR1.2525.002	1179	15	PVR1.2525.003	1147	11
BSP 1"	DIN 3852-2-X	PVR1.2525.002 C	1257	12	PVR1.2525.003 C	1258	11

PVR1 DN30 - BG 6 - ISO 31.5


F	STANDARD	FEMMINA - FEMALE - MUFFE - FEMELLE			MASCHIO - MALE - STECKER - MALE		
		COD. F	Weight (g)	Packaging (pcs.)	COD. M	Weight (g)	Packaging (pcs.)
BSP 1 1/4"	DIN 3852-2-X	PVR1.3031.002	1606	12	PVR1.3031.003	1803	6
BSP 1 1/4"	DIN 3852-2-X	PVR1.3031.002 C	1711	12	PVR1.3031.003 C	1928	6

PVR1 DN39 - BG 7 - ISO 40


F	STANDARD	FEMMINA - FEMALE - MUFFE - FEMELLE			MASCHIO - MALE - STECKER - MALE		
		COD. F	Weight (g)	Packaging (pcs.)	COD. M	Weight (g)	Packaging (pcs.)
BSP 1 1/2"	DIN 3852-2-X	PVR1.3939.002	2006	8	PVR1.3939.003	2184	6
BSP 1 1/2"	DIN 3852-2-X	PVR1.3939.002 C	2139	8	PVR1.3939.003 C	2331	5

PLASTIC CAPS

NOMINAL SIZE			FEMALE DUST PLUG			MALE DUST CAP			COLOUR	MATERIAL		
DNP	BG	ISO	COD. F	Dimensions		Weight (g)	COD. M	Dimensions		Weight (g)	●	
				D	L			D	L			
10	2	10	SPVR.10002	48	200	53	SPVR.10003	48	200	58	●	PVC
13	3	12.5	SPVR.13002	51	200	57	SPVR.13003	51	200	86	●	PVC
20	4	19	SPVR.20002	57	200	68	SPVR.20003	57	200	81	●	PVC
25	5	25	SPVR.25002	68	200	78	SPVR.25003	68	200	112	●	PVC
30	6	31.5	SPVR.30002	76	265	105	SPVR.30003	76	265	125	●	PVC
39	7	40	SPVR.39002	85	265	133	SPVR.39003	86	265	146	●	PVC



SPARE PARTS

NOMINAL SIZE			MALE/FEMALE GASKET						
DNP	BG	ISO	SS	S	V	SR-1	SR-2	OR (NBR)	BK (PTFE)
			(Thread Ring)	(Spring)	(Valve)	(Seeger)	(Seeger)		
10	2	10	PVR.010.020	PVR.010.010	PVR.010.001	PVR.010.176	PVR.010.160	PV.013.120	PVR.010.130
13	3	12,5	PVR.013.020	PVR.013.010	PVR.013.001	PVR.013.176	PVR.010.176	PVR.013.120	PVR.013.130
20	4	19	PVR.019.020	PVR.019.010	PVR.019.001	PVR.019.176	PVR.019.160	PVR.019.120	PVR.019.130
25	5	25	PVR.025.020	PVR.025.010	PVR.025.001	PVR.025.176	PVR.025.160	PVR.025.120	PVR.025.130
30	6	31,5	PVR.030.020	PVR.030.010	PVR.030.001	PVR.030.176	PVR.030.160	PVR.030.120	PVR.030.130
39	7	40	PVR.039.020	PVR.039.010	PVR.039.001	PVR.039.176	PVR.039.160	PVR.039.120	PVR.039.130

